



SANKET ELECTROTECH

AC Drive, Model : SET630



- **It is Economic high performance general purpose AC Drive**
- **Power range is 0.75KW to 5.5KW, 1Ph, 230 Vac and 0.75KW to 11KW, 3 ph, 415 Vac**
- **Compact good design with stable operation**
- **RS 485 Communication available**
- **Super overload capacity , good combination functions**

2.1 Keypad outlook



1) Functional indicators description

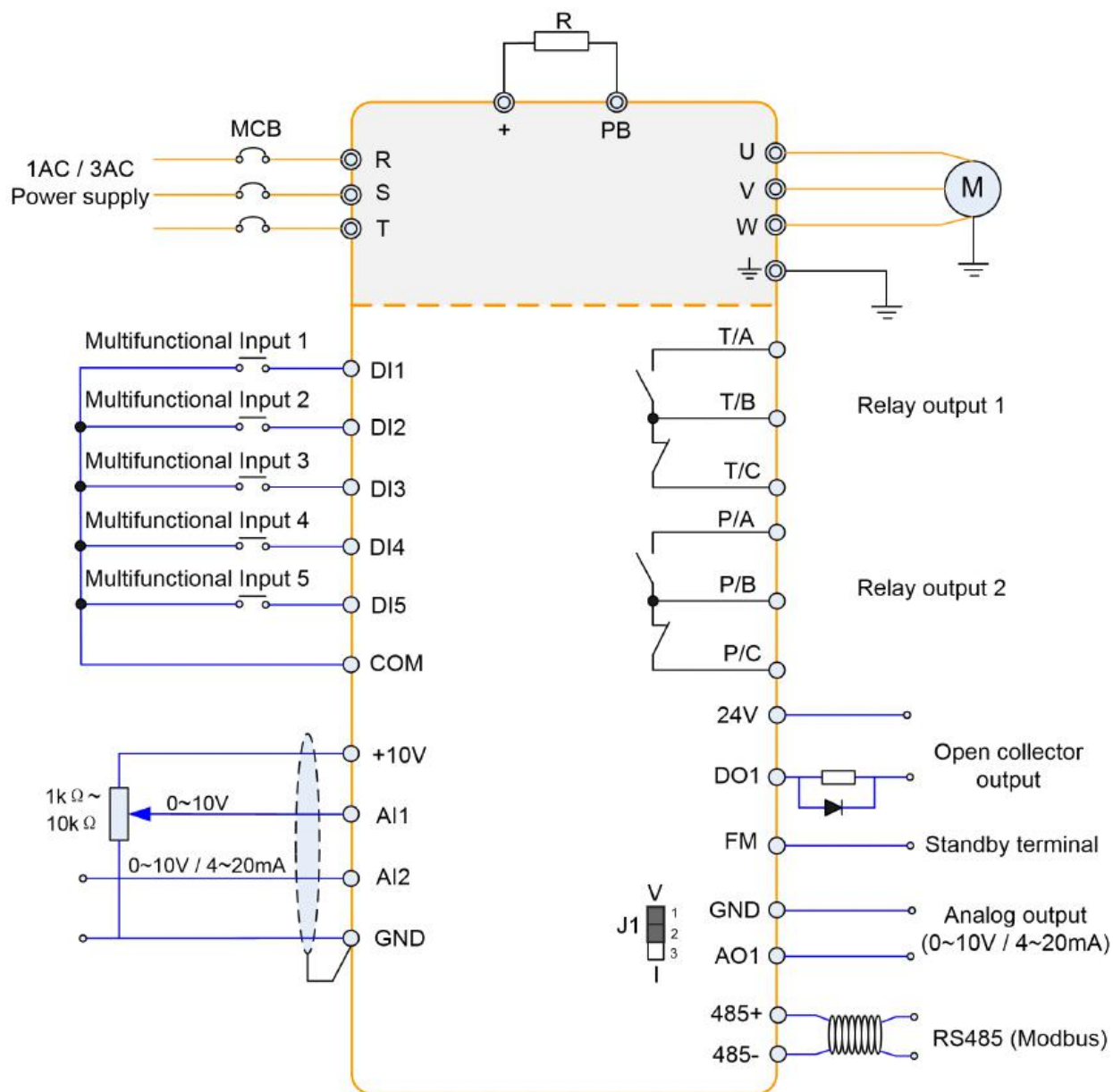
Functional indicator	Description
RUN	Light-on: AC drive is running
F/R	Forward / Reverse run indication
LOC / REM	Local / Remote control indication
ERR	AC drive with fault

2) Keypad push-button description

Button	Name	Function
PRG	Programming key	Entry and exit of primary menu
ENT	Confirmation key	Progressively enter menu, and confirm parameters

Electrical Specification

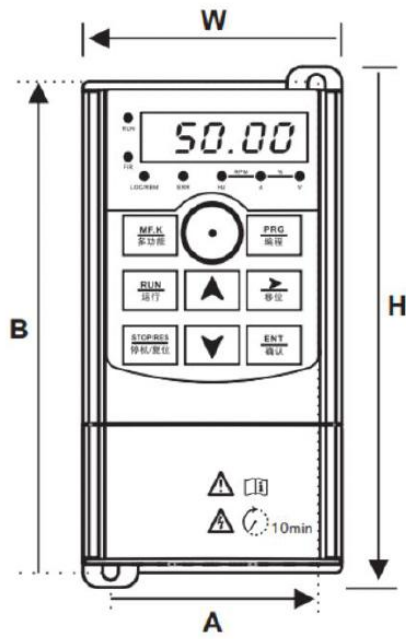
Specification and model	Rated output current(A)	Adaptive motor power(kw)	Height(H) Width(W) Depth(D) (mm)
1PH AC 220V±15%			
SET630-0R4G/0R7P	2.3/4	0.4/0.75	170*85*140
SET630-0R7G/1R5P	4/7	0.75/1.5	
SET630-1R5G/2R2P	7/9.6	1.5/2.2	
SET630-2R2G/4P	9.6/17	2.2/4	
SET630-4G/5R5P	17/24	4/5.5	245*125*170
SET630-5R5G/7R5P	24/30	5.5/7.5	
3PH AC 380V±15%			
SET630-0R75G/1R5P	2.5/4.2	0.75/1.5	170*85*140
SET630-1R5G/2R2P	3.8/5.1	1.5/2.2	
SET630-2R2G/4P	5.8/10	2.2/4	
SET630-4G/5R5P	10/13	4/5.5	194*95*150
SET630-5R5G/7R5P	13/17	5.5/7.5	
SET630-7R5G/11P	17/25	7.5/11	245*125*170
SET630-11G/15P	25/32	11/15	
Note : SET630 series panel opening size: 115mm high and 85mm wide			



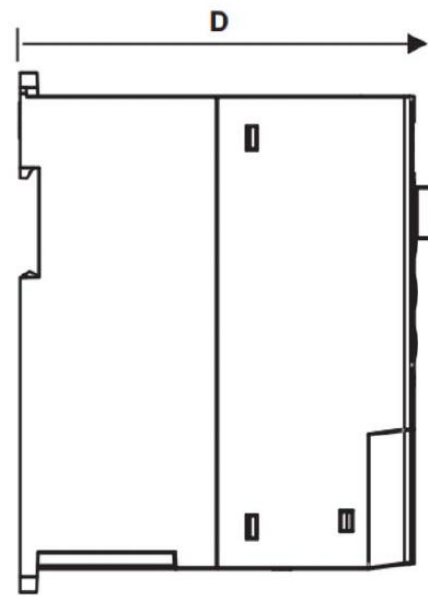
Note:

1. Terminal © refers to the main circuit terminal, terminal O refers to the control circuit terminal.
2. Built-in braking unit for all the models.

AC Drive outlook dimensions:



Front view



Side view

Power (kW)	Installation dimensions (mm)		Outlook dimensions (mm)				Installing hole diameter
	A	B	H	H1	D	D	
1AC 220V±15%							
0.4	67.5	157	155	170	85	140	Φ5
0.75							
1.5							
2.2							
4	106	235	234	245	125	170	Φ5
5.5							
3AC 380V±15%							
0.75	67.5	157	155	170	85	140	Φ5
1.5							
2.2							
4	86	185	182	194	95	150	Φ5
5.5							
7.5	106	235	234	245	125	170	Φ5
11							