

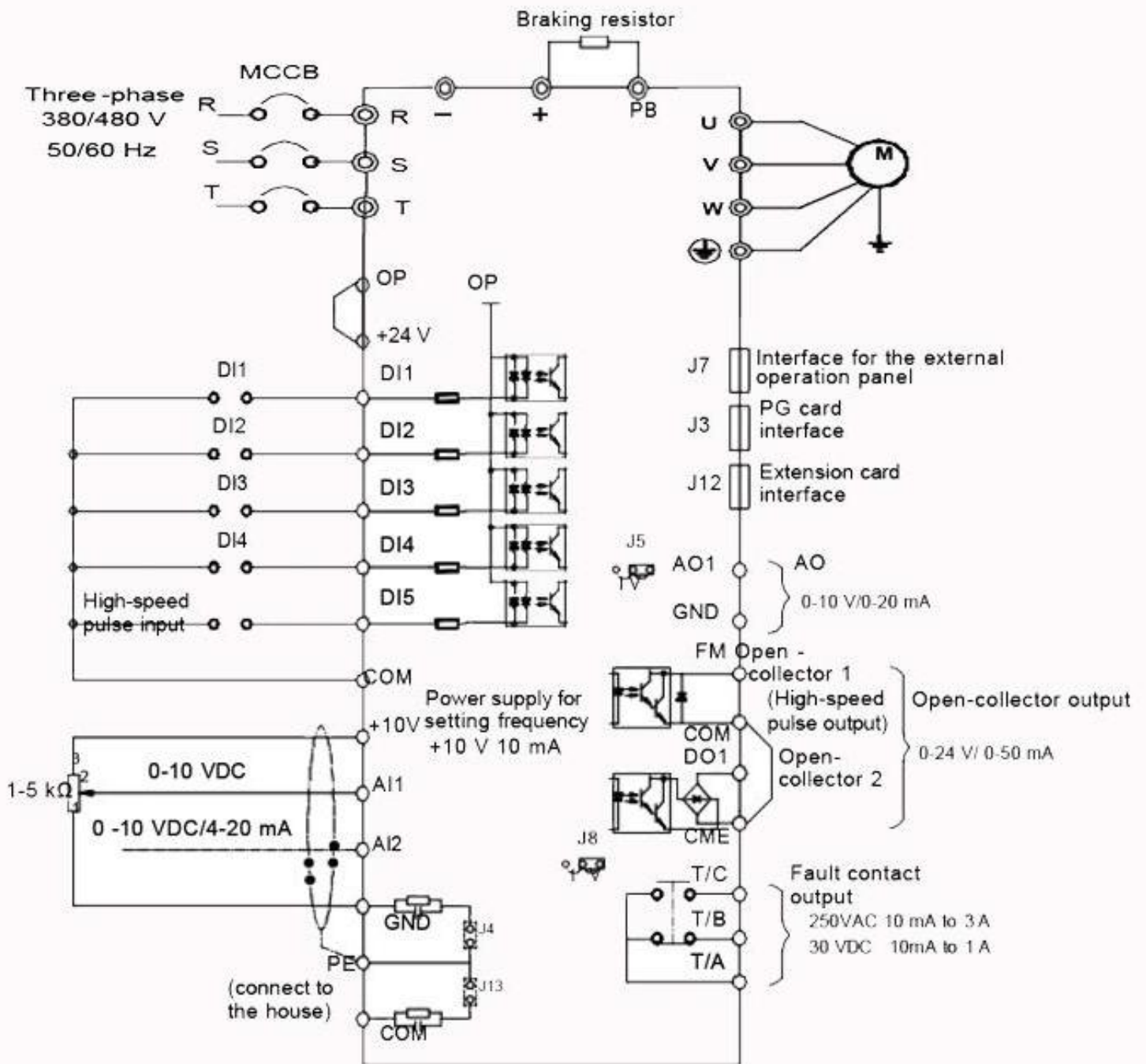


SANKET ELECTROTECH

AC Drive, Model : SET750



- **It is high performance , high quality, high reliability AC Drive**
- **Simple operation provide high control accuracy & response speed**
- **It has variety of control mode, optimum control need to setup**
- **Simple and strong Function, Simple built in PID-PLC control**
- **Strong anti - interfacing ability**
- **Standard RS 485 interface, easy to centralised control system**
- **Power range 0.4 KW to 630 KW**



Electrical Specification

Model	Power Capacity (kVA)	Input Current (A)	Output Current (A)	Adaptable Motor (kW , HP)		Thermal Power Consumption (kW)
Single-phase 220 V, 50/60 Hz						
HL750 S0.7GB	1.5	8.2	4	0.75	1	0.030
HL750 S1.5GB	3	14	7	1.5	2	0.055
HL750 S2.2GB	4	18	9.6	2.2	3	0.072
HL750 S3.7GB	6	23	13	3.7	5	0.092
Three-phase 380 V, 50/60 Hz						
HL750-4T0.7GB	1.5	3.4	2.1	0.75	1	0.027
HL750-4T1.5GB	3	5	3.8	1.5	2	0.050
HL750-4T2.2GB	4	5.8	5.1	2.2	3	0.066
HL750-4T3.7GB	5.9	10.5	9	3.7	5	0.120
HL750-4T5.5GB	8.9	14.6	13	5.5	7.5	0.195
HL750-4T7.5GB	11	20.5	17	7.5	10	0.262
HL750-4T11GB	17	26	25	11	15	0.445
HL750-4T15GB	21	35	32	15	20	0.553
HL750-4T18.5G	24	38.5	37	18.5	25	0.651
HL750-4T22G	30	46.5	45	22	30	0.807
HL750-4T30G	40	62	60	30	40	1.01
HL750-4T37G	57	76	75	37	50	1.20
HL750-4T45G	69	92	91	45	60	1.51
HL750-4T55G	85	113	112	55	75	1.80
HL750-4T75G	114	157	150	75	100	1.84
HL750-4T90G	134	180	176	90	125	2.08
HL750-4T110G	160	214	210	110	150	2.55
HL750-4T132G	192	256	253	132	200	3.06
HL750-4T160G	231	307	304	160	250	3.61
HL750-4T200G	250	385	377	200	300	4.42
HL750-4T220G	280	430	426	220	300	4.87
HL750-4T250G	355	468	465	250	400	5.51
HL750-4T280G	396	525	520	280	370	6.21
HL750-4T315G	445	590	585	315	500	7.03
HL750-4T355G	500	665	650	355	420	7.81
HL750-4T400G	565	785	725	400	530	8.51
HL750-4T550G	700	960	900	500	660	10.26
HL750-4T630G	882	1130	1100	630	840	12.5

Product model	Inverter power	Voltage Input	Voltage Output	Frequency Input	Frequency Output	Current Output	Products Weight	Installation Size	Shape Size	Packing weight	Packing Size
	(KW)	(V)	(V)	(HZ)	(HZ)	(A)	(KG)	(mm)	(mm)	(KG)	(mm)
750-0R7G-T2	0.75KW	1PH/3PH 220V	3PH 0~240V	50~60	0~400	3.8	1.1	160*80	170*90*135	1.3	220*145*190
750-1R5G-T2	1.5KW					5.1					
750-2R2G-T2	2.2KW					9					
750-004G-T2	4.0kw	1PH/3PH 220V	3PH 0~240V	50~60	0~400	13	2	190*120	200*130*155	2.2	260*180*210
750-5R5G-T2	5.5kw					25					
750-7R5G-T2	7.5kw					32					
750-011G-T2	11kw	1PH/3PH 220V	3PH 0~240V	50~60	0~400	45	3.1	240*130	250*140*165	3.25	305*190*215
750-015G-T2	15kw					60					
750-018G-T2	18.5kw					75					
750-022G-T2	22kw	1PH/3PH 220V	3PH 0~240V	50~60	0~400	91	10	415*182	430*230*225	11.2	500*300*300
750-030G-T2	30kw					112					
750-037G-T2	37kw					150					
750-045G-T2	45kw	1PH/3PH 220V	3PH 0~240V	50~60	0~400	176	13	415*223	430*270*225	13.6	500*350*300
750-055G-T2	55kw					210					
750-075G-T2	75kw					304					

750-0R7G-T4	0.75kw	3PH 380V	3PH 0~440v	50~60	0~400	2.1	1.1	160*80	170*90*135	1.3	220*145*190
750-1R5G-T4	1.5kw					3.8					
750-2R2G-T4	2.2kw					5.1					
750-004G/5R5P-T4	4.0kw	3PH 380V	3PH 0~440v	50~60	0~400	9/13	2	190*120	200*130*155	2.2	260*180*210
750-5R5G/7R5P-T4	5.5kw					13/17					
750-7R5G/011P-T4	7.5kw					17/25					
750-011G/015P-T4	11kw	3PH 380V	3PH 0~440v	50~60	0~400	25/32	3.1	240*130	250*140*165	3.25	305*190*215
750-015G/018P-T4	15kw					32/37					
750-018G/022P-T4	18.5kw					37/45					
750-022G/030P-T4	22kw	3PH 380V	3PH 0~440v	50~60	0~400	45/60	10	415*182	430*230*225	11.2	500*300*300
750-030G/037P-T4	30kw					60/75					
750-037G/045P-T4	37kw					75/90					
750-045G/055P-T4	45kw	3PH 380V	3PH 0~440v	50~60	0~400	90/110	13	415*223	430*270*225	13.6	500*350*300
750-055G/075P-T4	55kw					110/150					
750-075G/090P-T4	75kw					150/176					
750-090G/110P-T4	90kw	3PH 380V	3PH 0~440v	50~60	0~400	176/210	25	545*175	560*270*295	28.6	620*330*360
750-110G/132P-T4	110kw					210/253					
750-132G/160P-T4	132kw					253/304					
750-160G/185P-T4	160kw	3PH 380V	3PH 0~440v	50~60	0~400	304/340	44.6	775*285	800*380*305	65.6	900*480*485
750-185G/200P-T4	185kw					340/377					
750-200G/220P-T4	200kw					377/423					
750-220G/250P-T4	220kw	3PH 380V	3PH 0~440v	50~60	0~400	423/465	90	920*190*190	950*500*355	98	1050*600*545
750-250G/280P-T4	250kw					465/520					
750-280G/315P-T4	280kw					520/585					
750-315G/350P-T4	315kw	3PH 380V	3PH 0~440v	50~60	0~400	585/640	107	1020*215*215	1050*550*355	120	1135*630*530
750-350G-T4	350kw					650					
750-400G-T4	400kw					720					
750-500G-T4	500kw	3PH 380V	3PH 0~440v	50~60	0~400	900	187	1020*315*315	1050*780*355	198	1145*985*565
750-630G-T4	630kw					1100					



C - 347, Sumel 11, Near Namaste Circle , Shahibaug Ahmedabad - 380004,
M : + 91 9687689987 / 89, Email : info@sanketelectrotech.com
GSTIN : 24AHPPP6852P1ZE, Website : www.sanketelectrotech.com